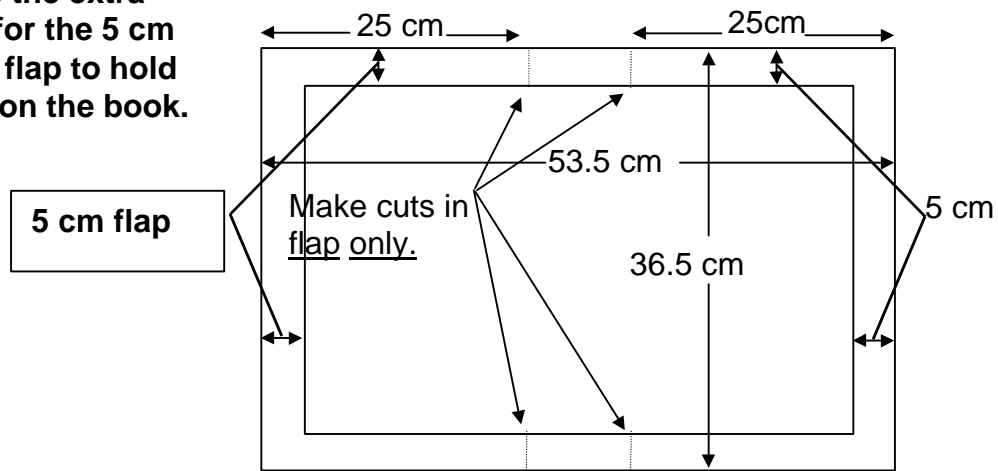


# Book Cover Pattern

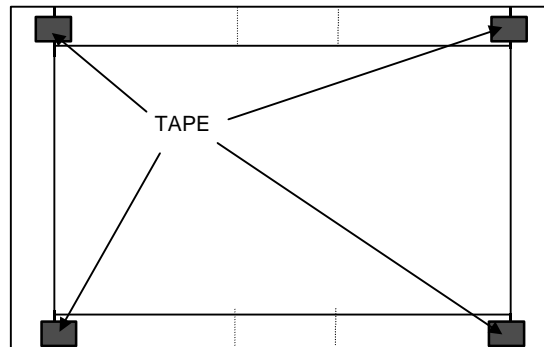
These dimensions include the extra material for the 5 cm fold-over flap to hold the cover on the book.

## STEP 1 - Cover before folding flaps in.



## STEP 2 - Cover with flaps folded in and taped.

**NOTE: Do not tape the cover to the book. Tape the flaps to each other.**



## STEP 3 - Optional inside cover panels. (For writing stuff, collecting signatures, etc.)

